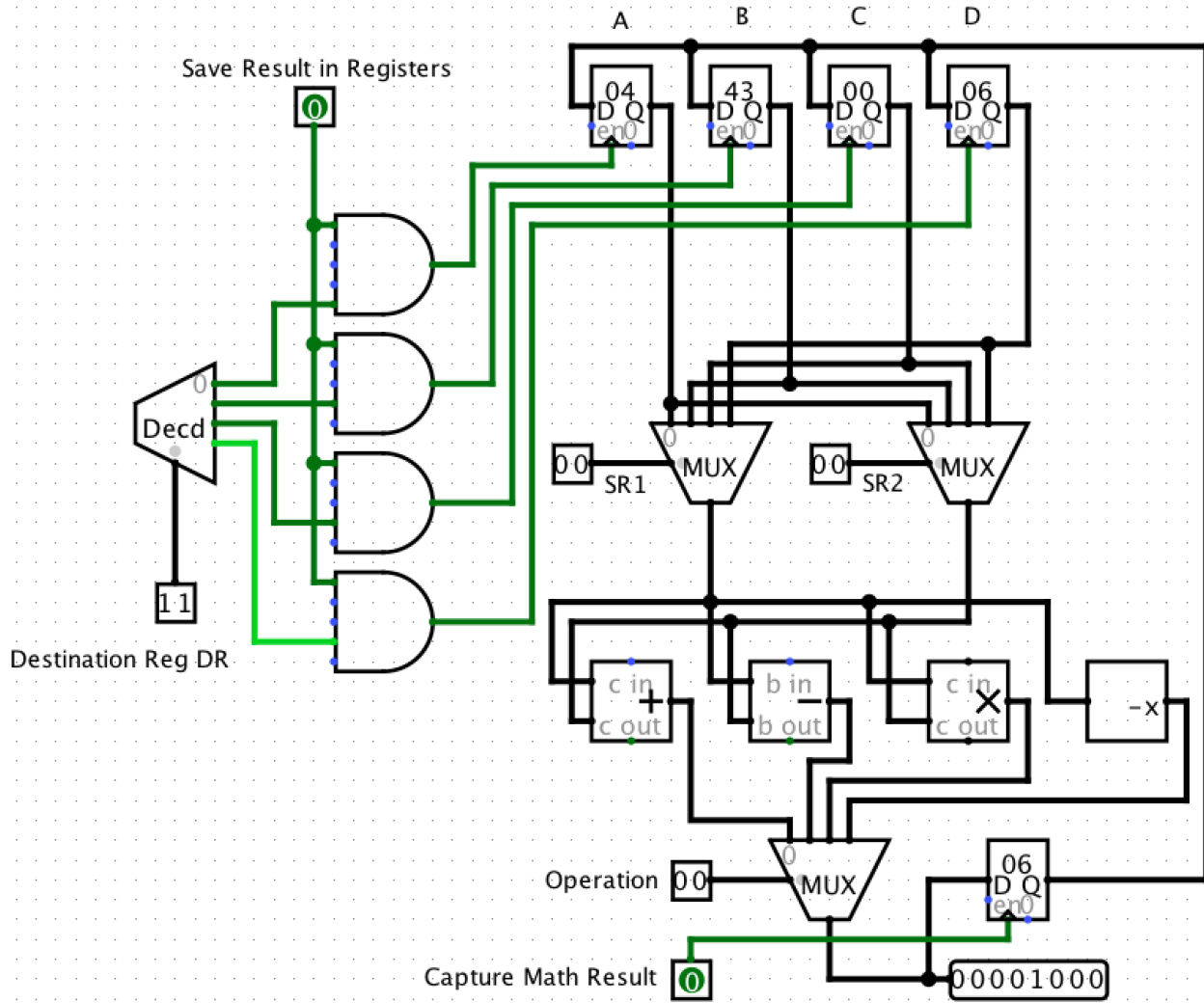


CS120 Fall 2018 Quiz 4

The circuit below has four registers, and operators to perform addition, subtraction, multiplication, and negation. Use the switches on the MUXes and decoder to perform the following math operations.

Assume a finite state machine fetches a card with 8 bits on it, turn on the write enable to save the math result, and then turns on the write enable to capture the result in a register.



	Op	DR	SR1	SR2
D = A + B	00	11	00	01
C = A * D				
B = D				
B = B - C				
C = -D				

Register to vote. Deadline is Friday. The Center for Civic Engagement has forms.